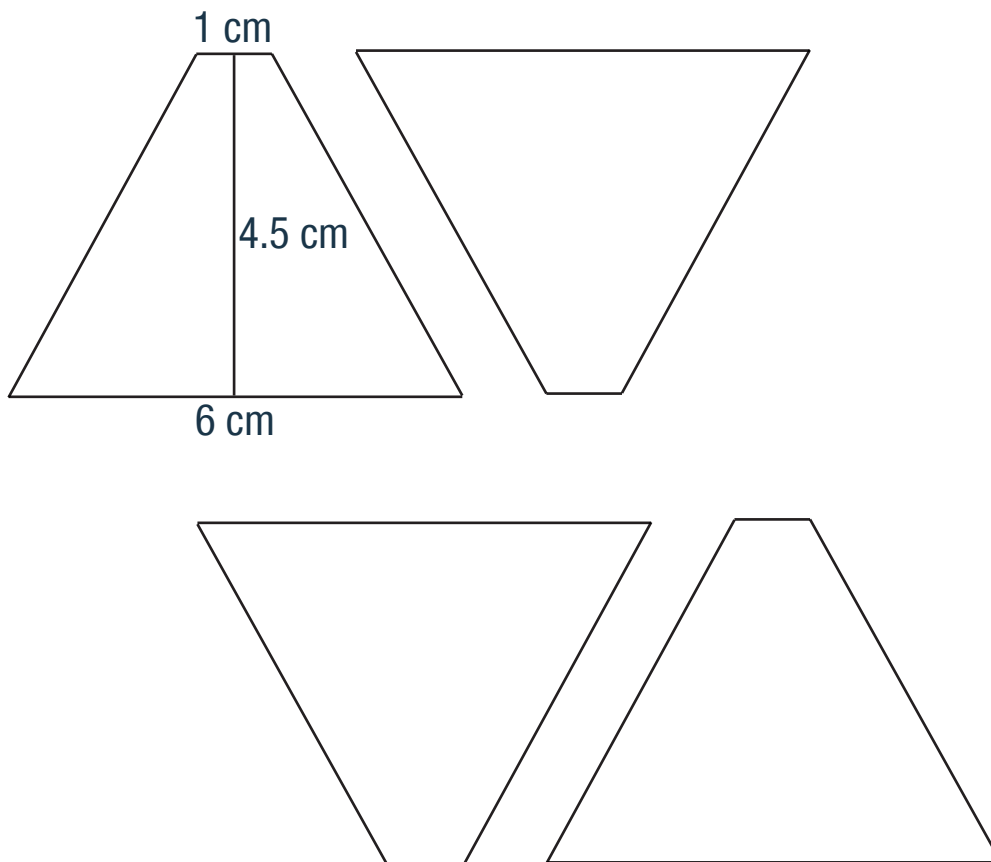
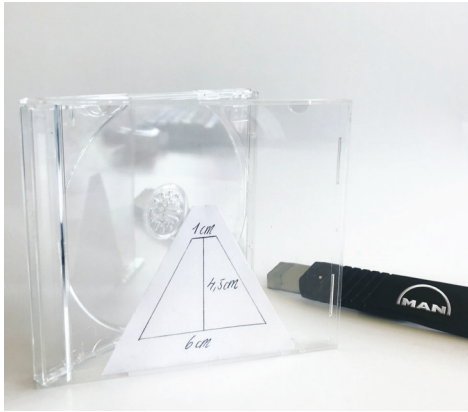


EXPERIENCE OUR NEW MAN **X**LION AS A HOLOGRAM.

It only takes a few minutes to build.

- 1 Place a transparent CD case (or a sheet of thick plastic) onto this printout and trace the four trapeziums onto the CD case. Alternatively, you can draw the trapeziums yourself and cut them out using the dimensions shown. The dimensions may also vary depending on the electronic device you are using.





2

Then cut the individual trapeziums out of the material, i.e. the CD case, and stick them together using transparent adhesive tape.



3

Now open our hologram video at: www.xlion.man/hologramm and position the pyramid you've made upside down in the centre of your smartphone or tablet. The dimensions stated above will differ if you are using a tablet.

To achieve the optimum effect, view the hologram in a dark room and increase the brightness of your electronic device's screen.

4

An explanatory video for our brochure for the new MAN XLIION equipment packs is available at the following link: www.xlion.man/hologramm-erklaervideo

